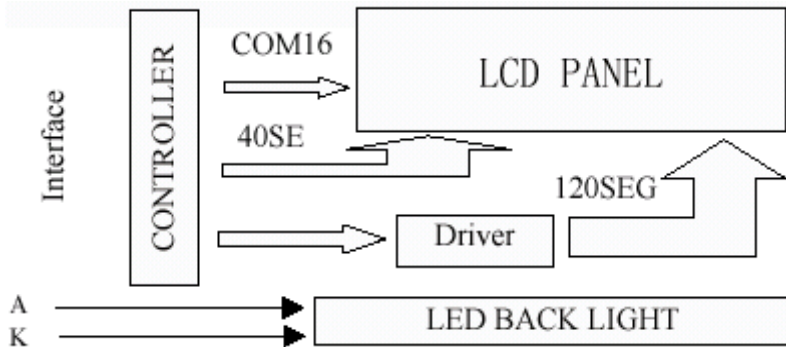
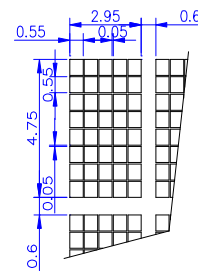


H1=8.8, H2=15.0MAX. YELLOW-GREEN LED Type
H1=6.8, H2=12.0MAX. WHITE LED Type



Features:

- Duty ratio: 1/16
- LCD option: TN/STN/FSTN
- Backlight option: (H1/H2mm): (6.8/12.0) OR (8.8/15)
- Backlight Colour: white or yellow-green

Address code:

Display position:	1	2	3	4	5	6	7	8	9	10	11	12	13	14	15	16
Address line1:	00	01	02	03	04	05	06	07	08	09	0A	0B	0C	0D	0E	0F
Address line2:	40	41	42	43	44	45	46	47	48	49	4A	4B	4C	4D	4E	4F
Address line3:	10	11	12	13	14	15	16	17	18	19	1A	1B	1C	1D	1E	1F
Address line4:	50	51	52	53	54	55	56	57	58	59	5A	5B	5C	5D	5E	5F

Pin Assignment		
Pin no	symbol	Function
1	Vss	Power supply(GND)
2	Vdd	Power supply(+)
3	V0	Contrast Adjust
4	RS	Register select signal
5	R/W	Data read/write
6	E	Enable signal
7	DB0	Data bus line
8	DB1	Data bus line
9	DB2	Data bus line
10	DB3	Data bus line
11	DB4	Data bus line
12	DB5	Data bus line
13	DB6	Data bus line
14	DB7	Data bus line
15	A	LED B/L(+)
16	K	LED B/L(-)

Absolute Maximum Rating									
Item	symbol	condition	Min	Max	Units				
Supply for logic voltage	Vdd-Vss	25°C	-0.3	7	V				
LCD driving supply voltage	Vdd-Vee	25°C	-0.3	5.5	V				
Input voltage	Vin	25°C	-0.3	Vdd+0.3	V				
Electrical Characteristics									
Item	symbol	condition	Min	Typical	Max	Units			
Power supply voltage	Vdd-vss	25°C	2.7	-----	5.5	V			
LCD operation voltage	VOP	Top	N	W	N	W	V		
		-20°C	-----	7.1	---	7.5	--	7.9	V
		0°C	4.3	-----	4.6	-----	4.9	--	V
		25°C	3.9	6.1	4.2	6.4	4.5	6.7	V
		50°C	3.6	-----	3.9	-----	4.2	--	V
70°C	-----	5.7	---	6	---	6.3	V		
LCM Current consumption(no b/l)	Idd	Vdd=5v	-----	-----	-----	mA			
Backlight current consumption	LED/edge	VB/L	-----	-----	---	mA			
	LED/array	VB/L	-----	-----	----	mA			